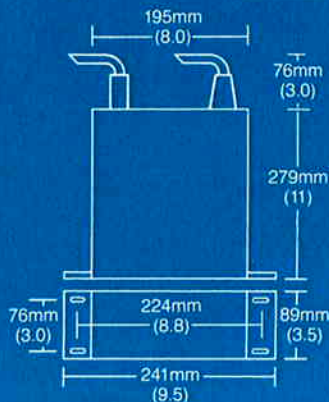


340 CONTROLLER SPECIFICATIONS

Display	<ul style="list-style-type: none"> • type-digital (green LED) • units-Torr, mbar, Pascal (user-selectable) • update time-0.5 second typical
Controller Pressure Range	
Ion Gauge	Lower Measurement Limit 1×10^{-9} Torr with 10 mA emission and tube sensitivity of 10/Torr Upper Measurement Limit 1×10^{-1} Torr with 0.1 mA emission and tube sensitivity of 10/Torr Pressure Range 6 decades within limits listed above
Convectron Gauge	1×10^{-4} to 990 Torr
Emission Current	Controlled, adjustable from 0.01 to 10.0 mA
Ionization Gauge	Bayard-Alpert (B/A) and other compatible filament type ionization gauges
Analog Output	
Ion Gauge	Logarithmic: 1 VDC/decade, 0-10 VDC
Convectron Gauge	0-6 VDC nonlinear
Degas	I ² R: 8VAC, 10A maximum 4A, 250VAC resistive load
IG Status Relay (Option)	
Sensitivity Adjustment Range	3/Torr to 50/Torr
Ion Gauge Turn On/Convectron Process Relay (Option)	Ion gauge turn on range, (Channel "A" only) 0-50 mTorr. Convectron process relay .5A, 250VAC, resistive load or 30VDC, internally selectable to operate from Channel "A" or "B," 0-200 mTorr range.
Cables	3.1m (10 ft.), 7.7m (25 ft.) or 15.4m (50 ft.)
Controller Weight	5.0kg (11 lbs)
Operating Temperature	0-40°C
Power Input	100/115/215/230 +10%VAC (user selectable) 100 watts, 50 or 60Hz
Controller Dimensions	(allow 76mm (3 in.) depth for connectors)



340 VACUUM GAUGE CONTROLLER



Features/General Information

Granville-Phillips' 340 Vacuum Gauge Controller (VGC) measures pressure from less than 1×10^{-9} Torr to atmosphere, utilizing an ionization gauge and two Convectron gauges. Pressure from each gauge is indicated independently on three front panel digital displays and by rear panel analog outputs. Resistance heating degas of the ionization gauge is standard.

Infrequently used controls are housed behind a hinged front panel to reduce front panel clutter. The 3½ in. high controller is available as a space-saving half rack or a compact 8 in. wide bench mount unit.

Excellent efficiency of the integral power supply and low internal power consumption allows the 340 to run cool without requiring ventilation openings in its aluminum enclosure. This helps avoid failures that can be induced by heat or foreign materials.

Available factory installed options include:

- Remote input-output functions that provide IG status relay output, IG on/off input, and degas on/off input.
- Automatic IG on/off from one Convectron gauge plus a single process control set point relay output assignable to either Convectron gauge.

The 340 is a cost-saving, space-saving alternative for less complex applications which require moderate performance and high reliability but not the wide selection of capabilities available on the Granville-Phillips' 307 product series. The 340 is designed and built to meet the same high quality performance and reliability standards that are a part of all Granville-Phillips' products.



Series 340 Vacuum Gauge Controller

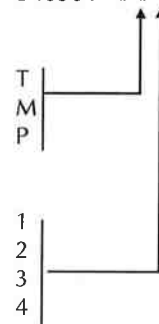
Description	Catalog Number
-------------	----------------

Controller, for 1 ionization gauge and 2 Convectron Gauges, with 3-line display, resistive degas, and remote input/output interface

Half-rack mount	340501 - # #
Left mount for 19-inch rack	340502 - # #
Center mount for 19-inch rack	340503 - # #
Bench-top mount	340504 - # #

Display Options - Measurement units:

- Torr
- mbar
- Pa



Power Cord Options:

- North America 115 V
- North America 240 V
- Universal Europe 220 V
- United Kingdom 240 V

Example: To order a Series 340 Ion Gauge Controller with half-rack mount, display in Torr, and North America 115 V power cord, select catalog number: 340501- T1

Optional Installation Hardware (for field installation)

– Rack-mount kits

Control unit on the left or right side for 19-inch rack	307010
Control unit in the center for 19-inch rack	307011
2 control units side-by-side for 19-inch rack	307021

Cables for:

– Tubulated glass ionization gauges

10 feet (3 meters)	303022
25 feet (7.6 meters)	303023
50 feet (15.2 meters)	303024

– Nude ionization gauges with push-on pins

10 feet (3 meters)	307046
25 feet (7.6 meters)	307047
50 feet (15 meters)	307048

– Nude ionization gauges with pin guard/locking strain relief

10 feet (3 meters)	307046-CR *
25 feet (7.6 meters)	307047-CR *
50 feet (15 meters)	307048-CR *

* Bakeable to 150 °C. For higher temperature bakeable cables contact Customer Support.

– Dual Convectron Gauges

10 feet (3 meters)	303040-10
25 feet (7.6 meters)	303040-25
50 feet (15.2 meters)	303040-50
100 feet (30.5 meters)	303040-100
200 feet (61 meters)	303040-200



Brooks Automation, Inc.
 Granville-Phillips® Products
 6450 Dry Creek Parkway, Longmont, CO 80503-9501
 1-303-652-4400 or 1-800-776-6543
 1-303-652-2844 (Fax) www.brooks.com