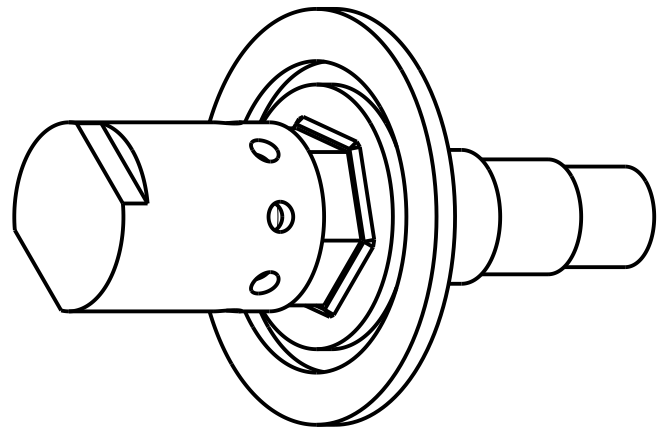
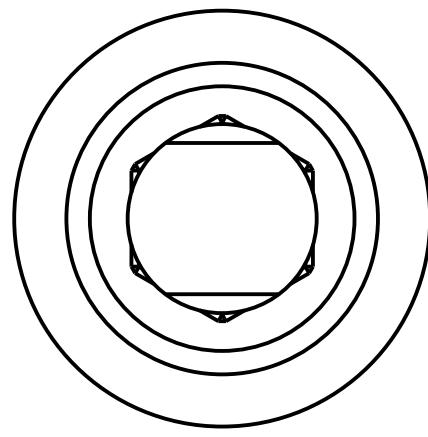
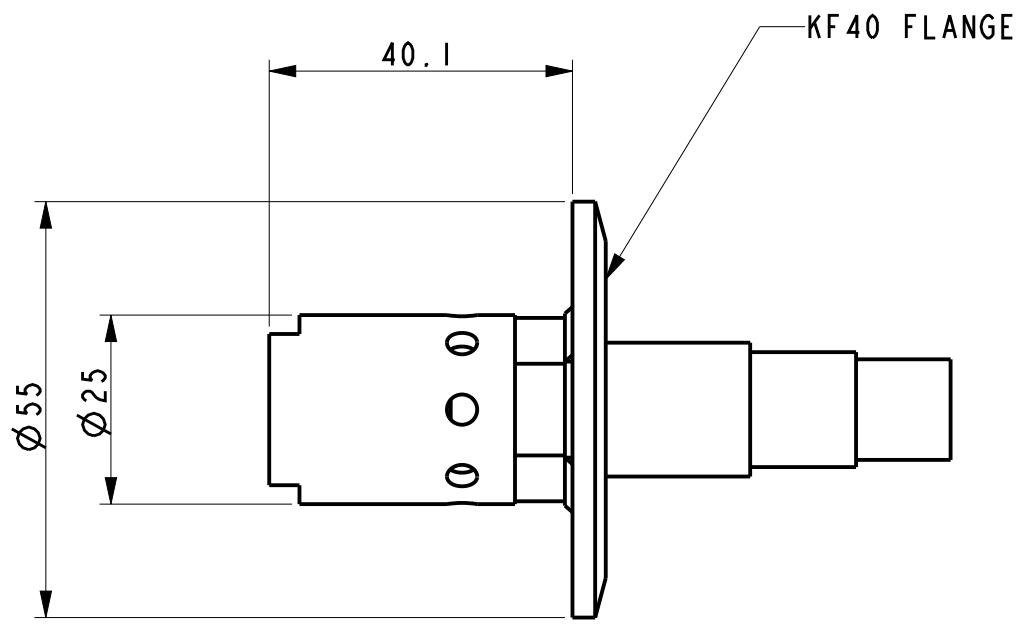


VACGAS-G16-L-ASS-200-KF40_EXT

FIRST ANGLE



ISSUE BY		DATE		REV. NO.		REV. DATE		REV. DESCRIPTION		SURFACE FINISH UNLESS OTHERWISE STATED 3.2 COPYRIGHT: This drawing is copyright © the property of Genco Ltd. It must not be copied, used for manufacture or otherwise disclosed without prior written consent of the company. © Genco Ltd 1995		GENCOA LTD Genco Ltd, 100, 101, 102, 103, 104, 105 The Quadrant, London E1 1BB Tel: 020 7460 1000 Fax: 020 7460 1001 www.genco.com		REFERENCE DRAWING SCALE A4 1:1 DRAWN CHECKED BY APPROVED BY DATE 14/10/22 MATERIAL Various FINISH		VACGAS G16 Assembly A DIMENSIONS EXCEPT WHERE STATED OTHERWISE GENERAL ± 0.20 mm ANGLES ± 0° 30'		DRAWING NO. VACGAS-G16-L-ASSI-200-KF40-EXT	
A		FOR ISSUE																	

1 2 3 4 5 6